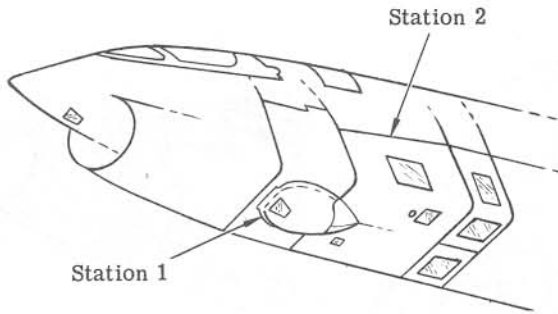


CAMERA INSTALLATIONS



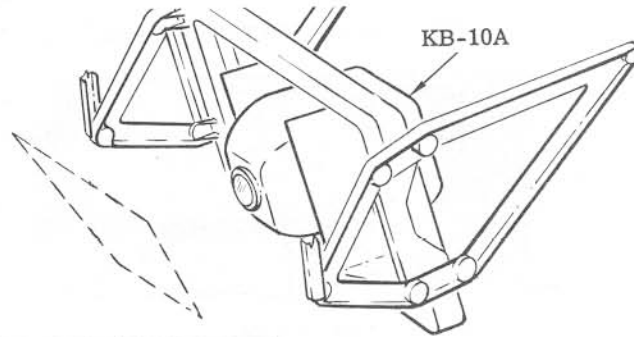
STATION 1

KB-10A at 10° or 25° forward oblique.
KA-45A, KA-46A after ASC 448.

MISSIONS: GENERAL RECONNAISSANCE "A"
GENERAL RECONNAISSANCE "B"
MAPPING AND CHARTING
BEACH AND AMPHIBIOUS

† Station 2 obliques - only 1 1/2;
Station 2 vertical - all;
Stations 3 and 4 - only 3, 6, 12

	KB-10A	CAX-12
FOCAL LENGTH	3 inches	(Camera Body) † LA-26B 1 1/2 in. LA-27 3 in. LA-28 6 in. LA-29 12 in.
FORMAT (Inches)	2-1/4 x 2-1/4	2-1/4 x 2-1/4
MAGAZINE	Integral	LA-30
FILM CAPACITY (Feet)	15 or 50	100
EXPOSURES	70 or 230	400

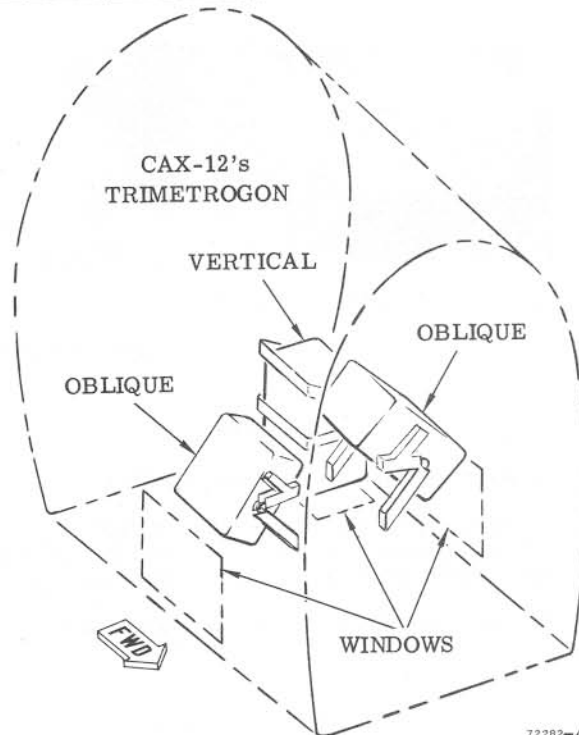
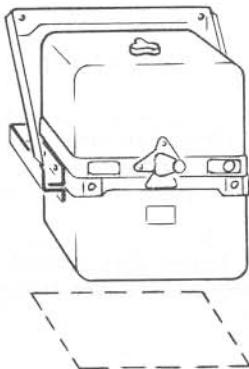


STATION 2

CAX-12 at vertical or three CAX-12's in trimetrogon arrangement.

MISSIONS: GENERAL RECONNAISSANCE "A"
GENERAL RECONNAISSANCE "B"
MAPPING AND CHARTING (trimetrogon)
BEACH AND AMPHIBIOUS

CAX-12
VERTICAL



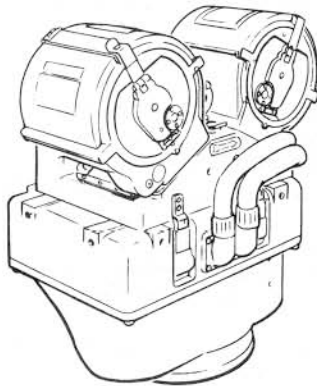
72282-4-12(1)

Figure 8-3 (Sheet 1)

CAMERA INSTALLATIONS

KA-40A, -45A and -46A	CA3-2b	CA-17a
3 in. (KA-40A) or 6 in.	6 in or 12 in	12 in
4.5 x 4.5	9 x 9	9 x 9
Cassettes	MA-10a, A-5A, A-9A	MA-10a
250	205 or 390 205 390	205 or 390
600	205 or 500 250 250	250 or 500*

*Limited by number of flares

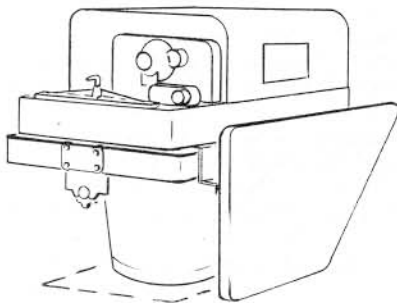


KA-40A, -45A, -46A in either universal or rotatable mount (vertical or 86°, 81°, 30°, 15°, 5° left or right; 75° aft)

MISSIONS: ALL

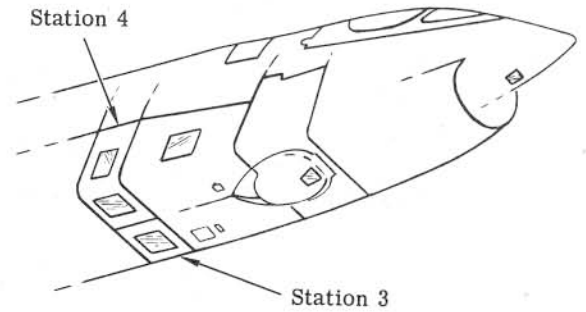
CAS-2a at vertical

MISSION: BEACH AND AMPHIBIOUS

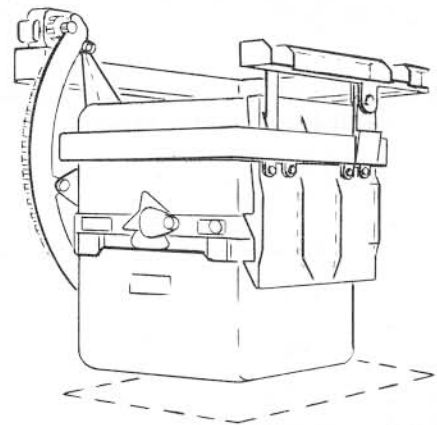


CA3-2b at vertical or at 81° left or right
MISSION: GENERAL RECONNAISSANCE "B"

STATION 3 AND 4



CA-17a at vertical or 81° left or right, or 75° aft from any position
MISSION: NIGHT RECONNAISSANCE



CAX-12 in rotatable mount (vertical or 86°, 81°, 30°, 15° or 5° left or right)
MISSIONS: GENERAL RECONNAISSANCE "A"
MAPPING AND CHARTING

72282-4-12 (2)

Figure 8-3 (Sheet 2)