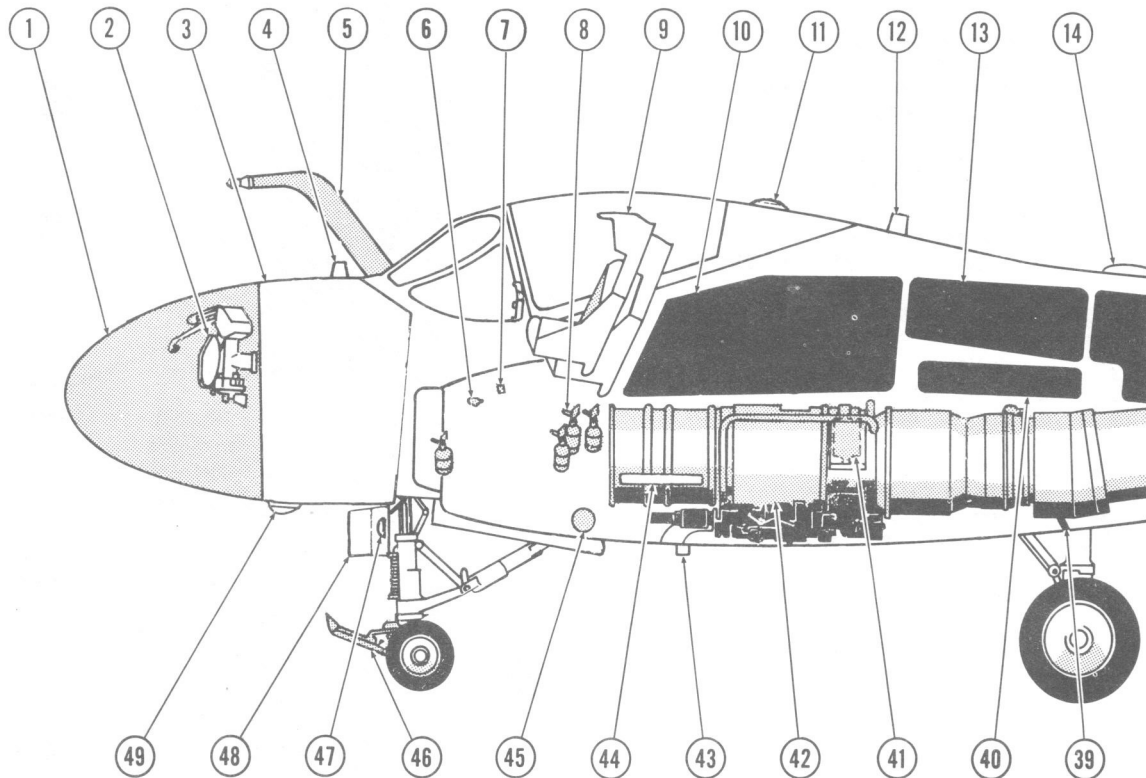


GENERAL ARRANGEMENT-TYPICAL



- | | |
|--|--|
| 1. NOSE RADOME | 14. UHF/ADF ANTENNA |
| 2. SEARCH RADAR ANTENNA | 15. AFT FUSELAGE FUEL CELL |
| 3. FWD ELECTRONIC COMPARTMENT | 16. ELECTRONIC COMPARTMENT COOLING AIRSCOOP |
| 4. FWD IFF/TACAN ANTENNA | 17. AN/ALQ-55 COOLING AIRSCOOP |
| 5. AIR REFUELING PROBE | 18. AFT ELECTRONIC COMPONENT BAY |
| 6. TOTAL TEMP PROBE (L) - ANGLE OF ATTACK SENSOR (R) | 19. ARG DASHPOT |
| 7. STATIC PORT (L) | 20. AFT COMPARTMENT RAM AIR INLET |
| 8. LANDING GEAR EMER AIR BOTTLES (4) | 21. MF-1 FLUX VALVE |
| 9. EJECTION SEATS (2) | 22. FIN ANTENNA RADOME |
| 10. FWD FUSELAGE FUEL CELL | 23. RECONNAISSANCE RECEIVER OMNI-DIRECTIONAL ANTENNA |
| 11. ANTI-COLLISION LIGHT | 24. RECONNAISSANCE RECEIVER DF ANTENNA |
| 12. FWD UHF COMM ANTENNA | |
| 13. MID FUSELAGE FUEL CELL | |

D-ADB1-1207-1

Figure 1-7 (Sheet 1)